

Garden Bathtub Surround



Features

- No-caulk assembly; see back page for detail.
- High gloss acrylic surface for a bright shine.
- Easy to clean, scratch and stain resistant.
- Four spacious 4" deep shelves.
- Easy one person installation for both new construction and remodel projects.
- No drilling necessary, screw flange direct to stud.
- Covered with a protective film to maintain finish during installation.
- Compatible with most standard bathtubs.
- Wall set includes one back panel, one left panel and one right panel.
- Each set packaged in one carton.
- 5 Year consumer, 2 Year commercial Limited Warranty.

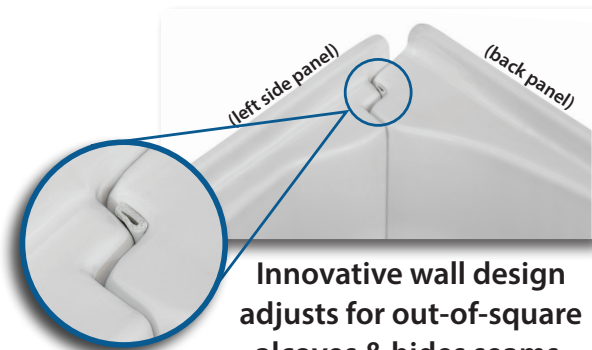
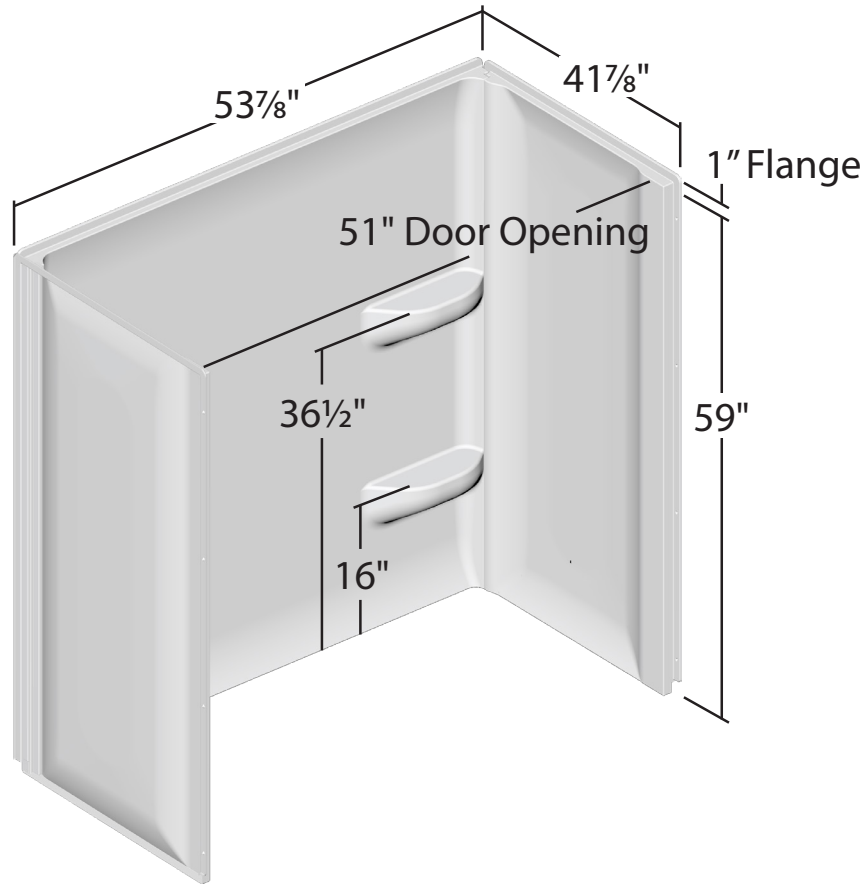
| Dimensions | Part # | Model # | Shipping Weight |
|----------------------------|---------|----------------|-----------------|
| 54" x 42" x 59" White | 0378088 | BLESCS01425459 | 48 lbs |
| 54" x 42" x 59" Biscuit | 0378089 | BLESCS09425459 | 48 lbs |

Color Options*

01 - White 09 - Biscuit

**Color shown may vary slightly from the actual product due to variations in the printing process of this document.*


Plumbing accessories not included.



Water-Proof Gasket
(Magnified View)

**Innovative wall design
adjusts for out-of-square
alcoves & hides seams.
No caulk required.**

Contact Us

 Lyons Industries, Inc.
30000 M-62 West
Dowagiac, MI 49047

 (800) 458-9036

 (269) 782-5159

 lyonsind@lyonsindustries.com

 www.lyonsindustries.com

Design and features may change without notice.

Complies with ANSI Z124.1 and CAN/CSA-B45

CAN/ULC S102.2 Flame-75 & Smoke Developed-485 code.

Complies with ASME:A112.19.7 and CAN/CSA-B45.10

All product subject to manufacturing tolerance of [+] or [-] 1/8".

Printed in U.S.A.

07-2022